

## UF-450AX Specifications

|                              |  |   |
|------------------------------|--|---|
| Display Unit                 | 12-inch, High-Resolution, TFT LCD monitor                |   |
| Scanning methods             | Electronic: Convex / Linear / Micro Convex               |   |
| Beam Former                  | Digital Beam Former                                      |   |
| System Dynamic Range         | 191dB  |   |
| Receiver Bandwidth           | 2.0 to 12MHz   |   |
| Probe Connection             | 2 active connectors                                      |   |
| Operation Mode               | B mode, Dual B mode, Quad B mode, B/M mode, M mode       |   |
| Cine Memory                  | B-mode: max 1298 frames, M-mode: max 4 screens           |   |
| B-mode                       | Focus Method   | Transmitting: max 3-focus zone<br>Receiving: continuous dynamic focus |
|                              | Display Depth  | 2~24cm, 1cm / step variable<br>(Probe dependent)                      |
|                              | Frequency  | 3 selections  |
|                              | Tissue Harmonic Imaging                                  | on / off, 3 selections  |
|                              | Display Control  | up/down, left/right, view angle (probe dependent)                     |
| M-mode                       | Display mode   | Moving Bar  |
|                              | Sweep Speed  | 4 steps (2,4,8,16sec/frame)   |
| Image Control                | GAIN   | 60~100dB, 1dB/step  |
|                              | Dynamic Range  | 30~90dB, 5dB/step   |
|                              | STC  | 6 sliders   |
|                              | Echo Enhance   | 8 steps   |
|                              | Frame Correlation  | 8 steps   |
|                              | Post Process   | 8 steps (Gamma curves : editable)                                     |
|                              | Noise Reduction  | 8 steps   |
|                              | BL Filter  | 8 steps   |
|                              | Color Scaling Image                                      | off, 8 kinds  |
|                              | BA Filter  | 8 steps   |
|                              | Automatic adjustment                                     | Easy Optim.   |
| Zoom Control                 | Area Setting, ROI methods, Scan zoom / Read zoom,        |   |
| Measurements and Calculation | General, Cardiology, Vascular, Urologic, OB/GYN, Others  |   |
| Image Filing                 | Still image: USB flash-memory, Network (JPEG/BMP format) |   |
| Network                      | Ethernet (100BASE-TX/1000BASE-T)                         |   |
| Control Panel                | 2way backlight   |   |
| Trackball                    | 1.4inch  |   |
| Battery Operation (option)   | DC14.8V, 60 minutes                                      |   |

|         |                      |  |
|---------|----------------------|--|
| General | Power (AC Adapter):  | AC100 ~ 240V ± 10%, 50/60Hz, Output: DC24V, 6.3A |
|         | Power Consumption:   | 167 VA or less                                   |
|         | External Dimensions: | W329 × D185 × H349mm (Including protrusions)     |
|         | Weight:              | Approx. 6.9kg (w/o battery)                      |

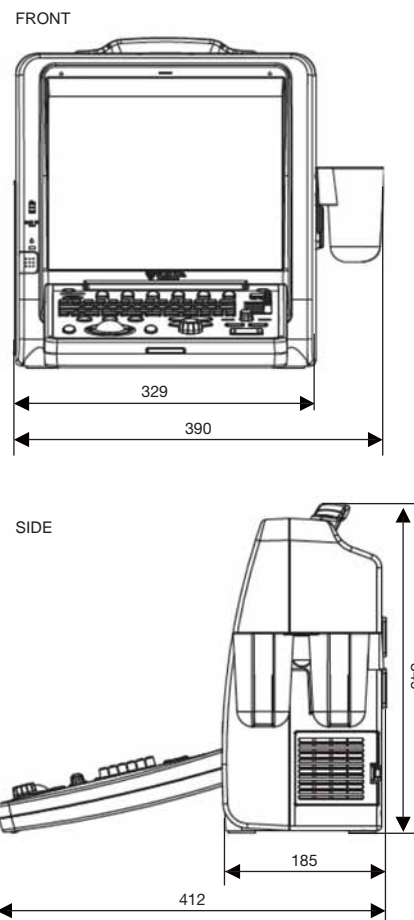
|                 |               |                  |         |                         |
|-----------------|---------------|------------------|---------|-------------------------|
| Optional Probes | FUT-CS602-5AX | 60R Convex       | 2-5MHz  | Adult Abdominal, OB/GYN |
|                 | FUT-CS505-8A  | 50R Convex       | 5-8MHz  | Pediatric Abdominal     |
|                 | FUT-CS152-5A  | 15R Micro Convex | 2-5MHz  | Adult Cardiology        |
|                 | FUT-CS105-8A  | 10R Micro Convex | 5-8MHz  | Pediatric Cardiology    |
|                 | FUT-LS386-9A  | 45mm Linear      | 6-10MHz | Small Parts, Vascular   |
|                 | FUT-TVD114-7L | 11R Endo-Cavity  | 4-7MHz  | OB/GYN, Urology         |

Other Options Battery Pack BTE-002

FUKUDA DENSHI reserves the right to change specifications without notice.



Dimensional drawing (unit: mm)



# Diagnostic Ultrasound Imaging System

## UF-450AX



# Smart, Speedy, Simple is Best

**Bettius**

U F - 4 5 0 A X

## Smart

A full digital system compressed into a compact and slim body. With its compact body, it can be used anywhere and also wherever with its battery operation (optional). Image data can be saved via USB or LAN. Indeed a very powerful portable system that will never let you down.



## Digital B/W Portable Ultrasound System



## Speedy

A fast boot up within 20 seconds, essential for emergencies. Moreover, with its Easy Optim function which optimizes automatically the gain and contrast, and also THI (Tissue Harmonic Imaging) by separating the second harmonics allowing to suppress the noise, provides a clear examination within a short time and efficiently.

**One Touch Adjustment  
Easy Optim.**



[ OFF ]



[ ON ]

## Simple is Best

The panel layout has been re-designed in order to provide the best outline for the sonographer and also to provide a smooth examination workflow. All the functions and adjustment have been minimized in order for the sonographer to concentrate only on the patient.